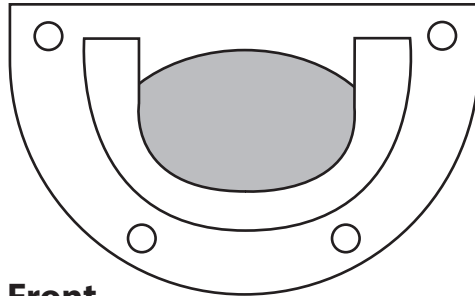
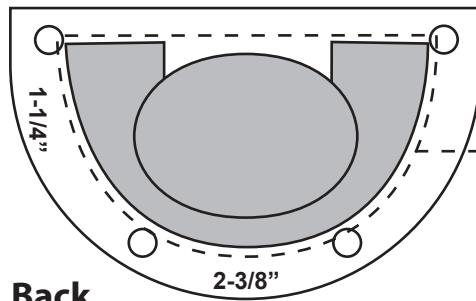
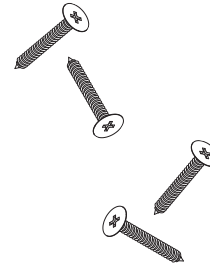


HBP7020 ROUND RECESSED BIN PULL INSTALLATION



Front

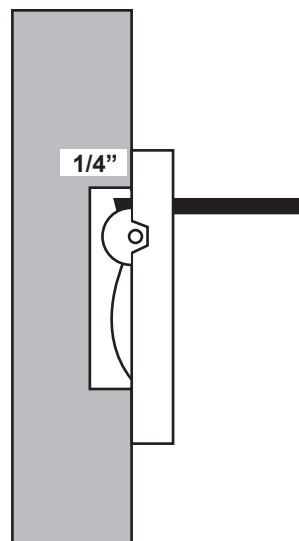


Back

1

With a pencil, mark on your drawer where the outside edges of the recessed area is, approximately 2-3/8" x 1-1/4".

Due to each being handmade, measurements shown may vary slightly.



Side

2

Router/chisel out the area to 1/4" deep and slightly larger than the back surface of the recessed area.

3

Your pull is now ready to be attached using the four included screws.